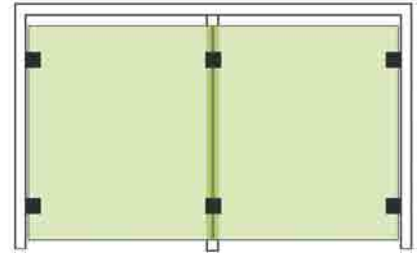
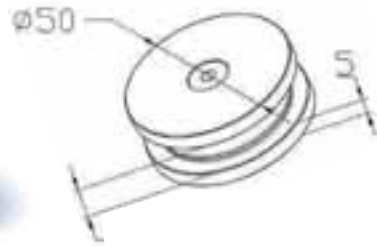


Balustrade Clamps

SC201
8/10/12mm Glass

Code for the complete item

SC201 SSS
SC201 PSS

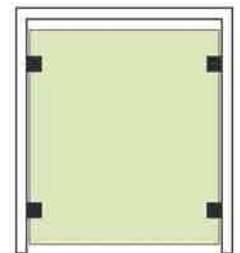
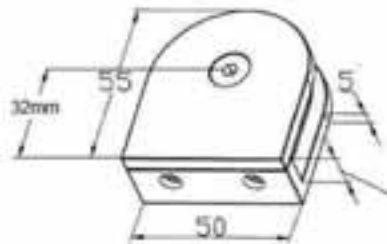


16mm/18mm Hole

SC202
8/10/12mm Glass

Code for the complete item

SC202 SSS
SC202 PSS

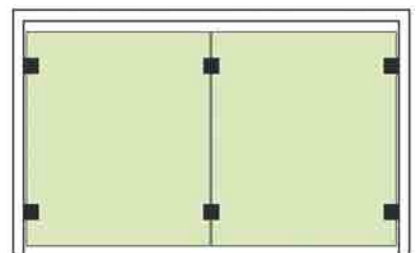
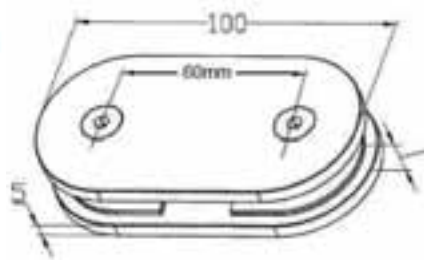


16mm/18mm Hole

SC203
8/10/12mm Glass 180°

Code for the complete item

SC203 SSS
SC203 PSS

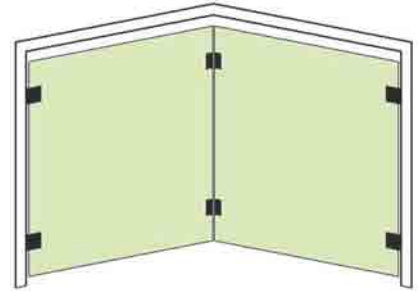
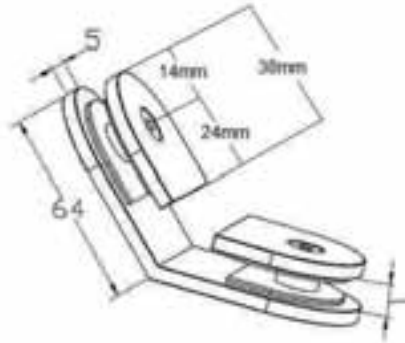


16mm/18mm Hole

SC204 8/10/12mm Glass 135°

Code for the complete item

SC204 SSS
SC204 PSS

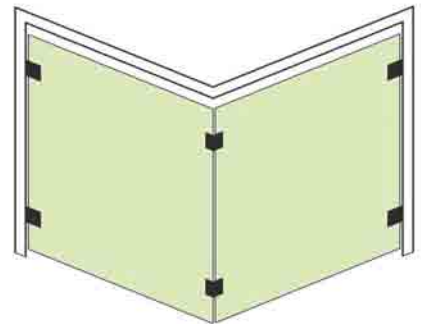
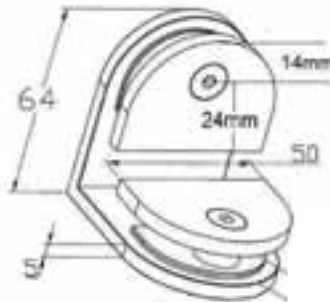


16mm/18mm Hole

SC205 8/10/12mm Glass 90°

Code for the complete item

SC205 SSS
SC205 PSS

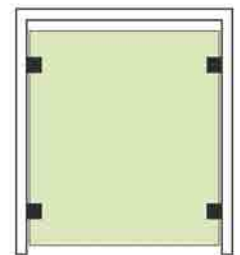
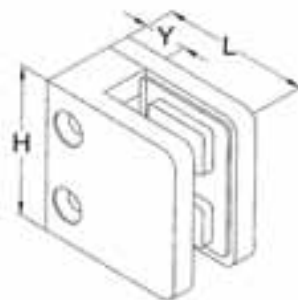


16mm/18mm Hole

SS200 8/10/12mm Glass

Code for the complete item

SS200 SSS
SS200 PSS



Optional safety pin available

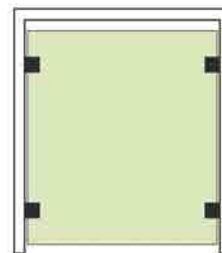
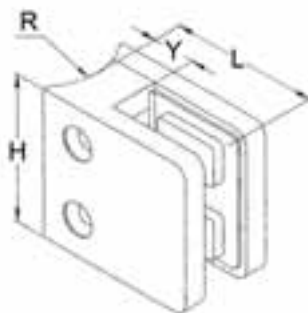
L	H	Y
55mm	55mm	16mm

Balustrade Clamps

SS201
8/10/12mm Glass

Code for the complete item

SS201 SSS
SS201 PSS



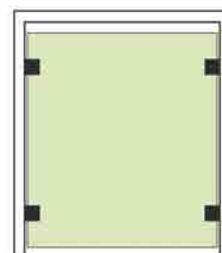
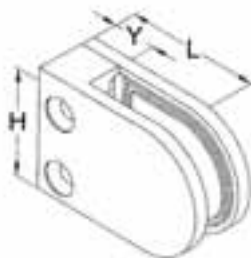
L	H	Y	R
55mm	55mm	16mm	25mm

Optional safety pin available

SS320
8/10/12mm Glass

Code for the complete item

SS320 SSS
SS320 PSS



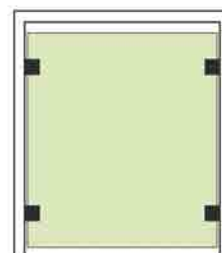
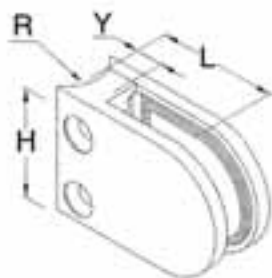
L	H	Y
60mm	55mm	16mm

Optional safety pin available

SS321
8/10/12mm Glass

Code for the complete item

SS321 SSS
SS321 PSS



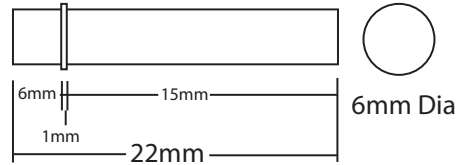
L	H	Y	R
60mm	55mm	16mm	25mm

Optional safety pin available

Safety Pin for SS Clamps

Code for the complete item

Safety Pin

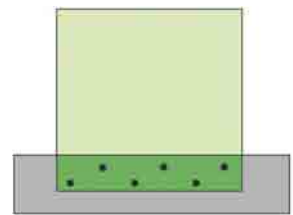
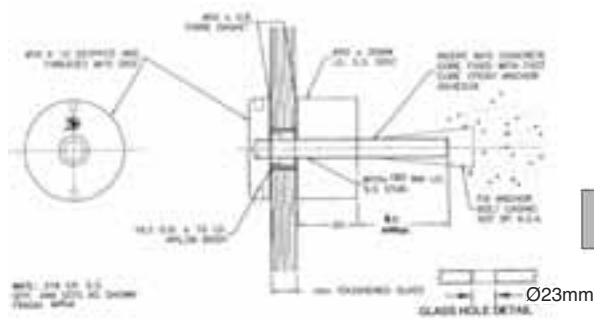


SS200/201 = 28mm from base to centre of pin
 SS320/321 = 30mm from base to centre of pin

50mm Maxi Disc SSS

Code for the complete item

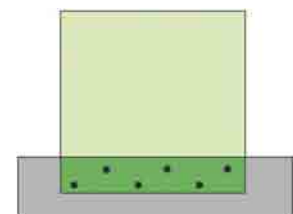
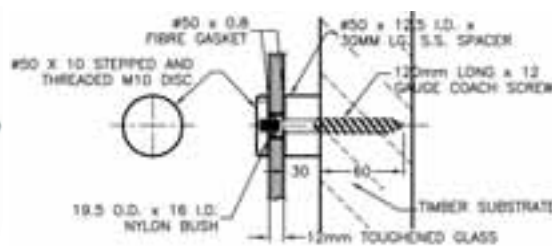
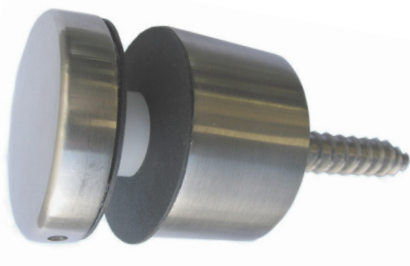
SD50W30



50mm Maxi Disc SSS

Code for the complete item

SD50W30 T



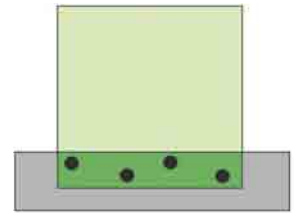
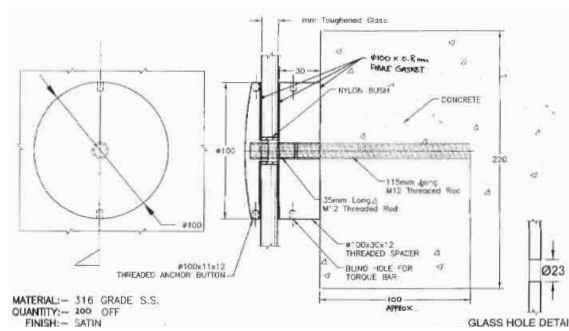
23mm Dia hole

Balustrade Clamps

100mm Maxi Disc SSS

Code for the complete item

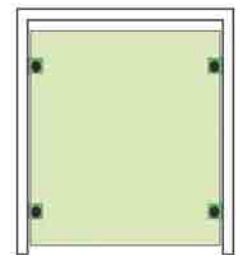
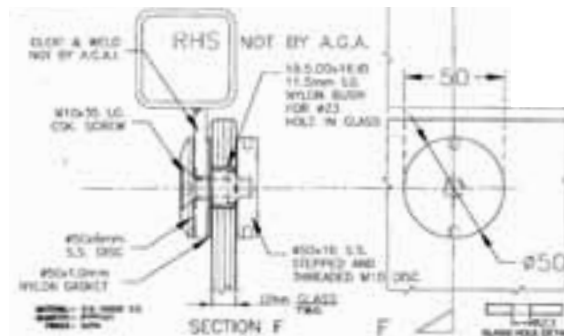
AG100W30



Clamp for Fixing Lug SSS

Code for the complete item

R50SD

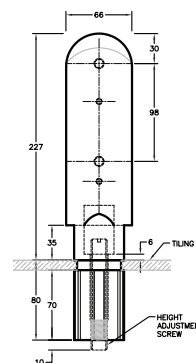


Stub Post Stainless Steel

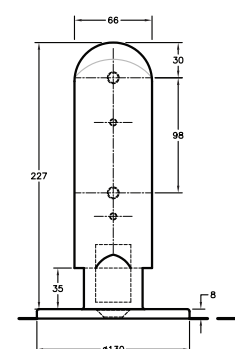
Code for the complete item

SP227 GF

SP227 SM



Grout Fixing



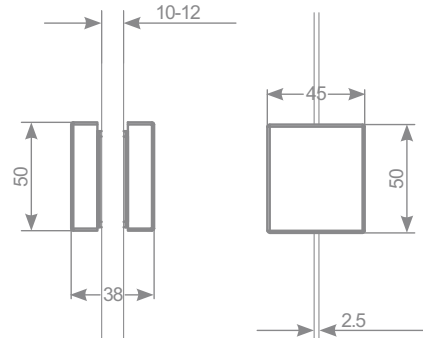
Surface Mounted

Alignment Clamp



Code for the complete item

19091 SAA
19091 ISS

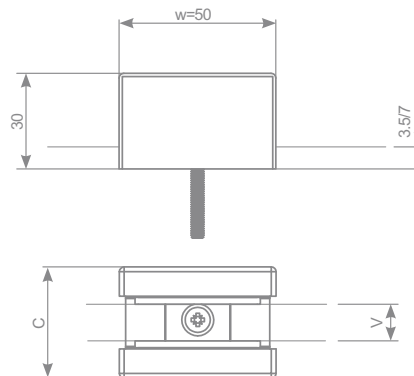


Balustrade Clamp for thick glass



Code for the complete item

19092 SAA
19092 ISS



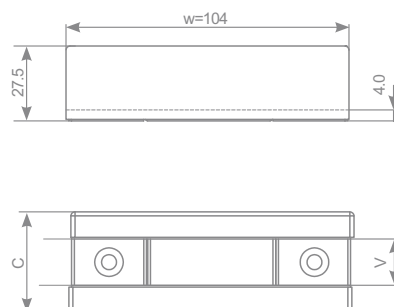
	C
V 13.52	37
V 15	38
V 16.76	40
V 17.52	41
V 19	42

Balustrade Clamp for thick glass



Code for the complete item

19094 SAA
19094 ISS



	C
V 13.52	37
V 15	38
V 16.76	40
V 17.52	41
V 19	42