

# Stainless Steel Ballustrade & Glass to Glass Clamps

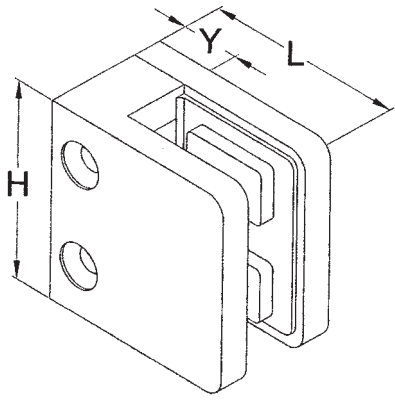


## Architectural Hardware Distributors



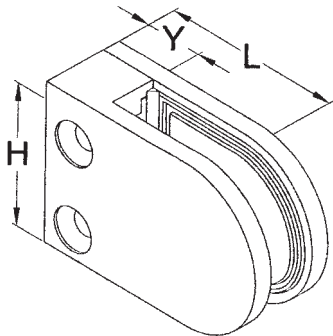
**Finished in  
Satin Stainless Steel  
Polished Stainless Steel**





**SS-200**

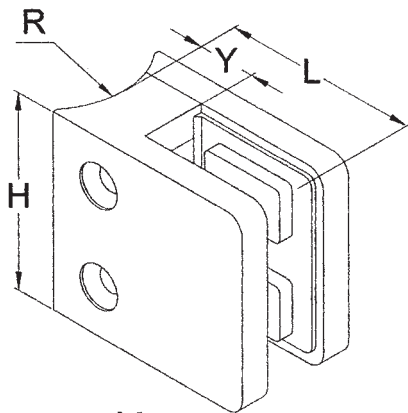
	L	H	Y
SS-200	55	55	16



**SS-320**

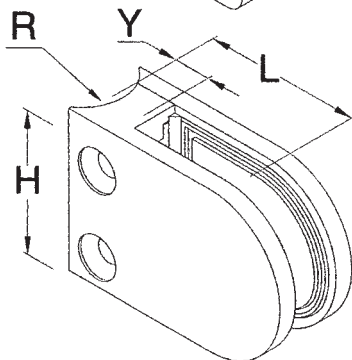
	L	H	Y
SS-320	60	55	16

**All Fittings are designed for 10mm Tempered Glass**



**SS-201**

	L	H	Y	R
SS-201	55	55	16	30



**SS-321**

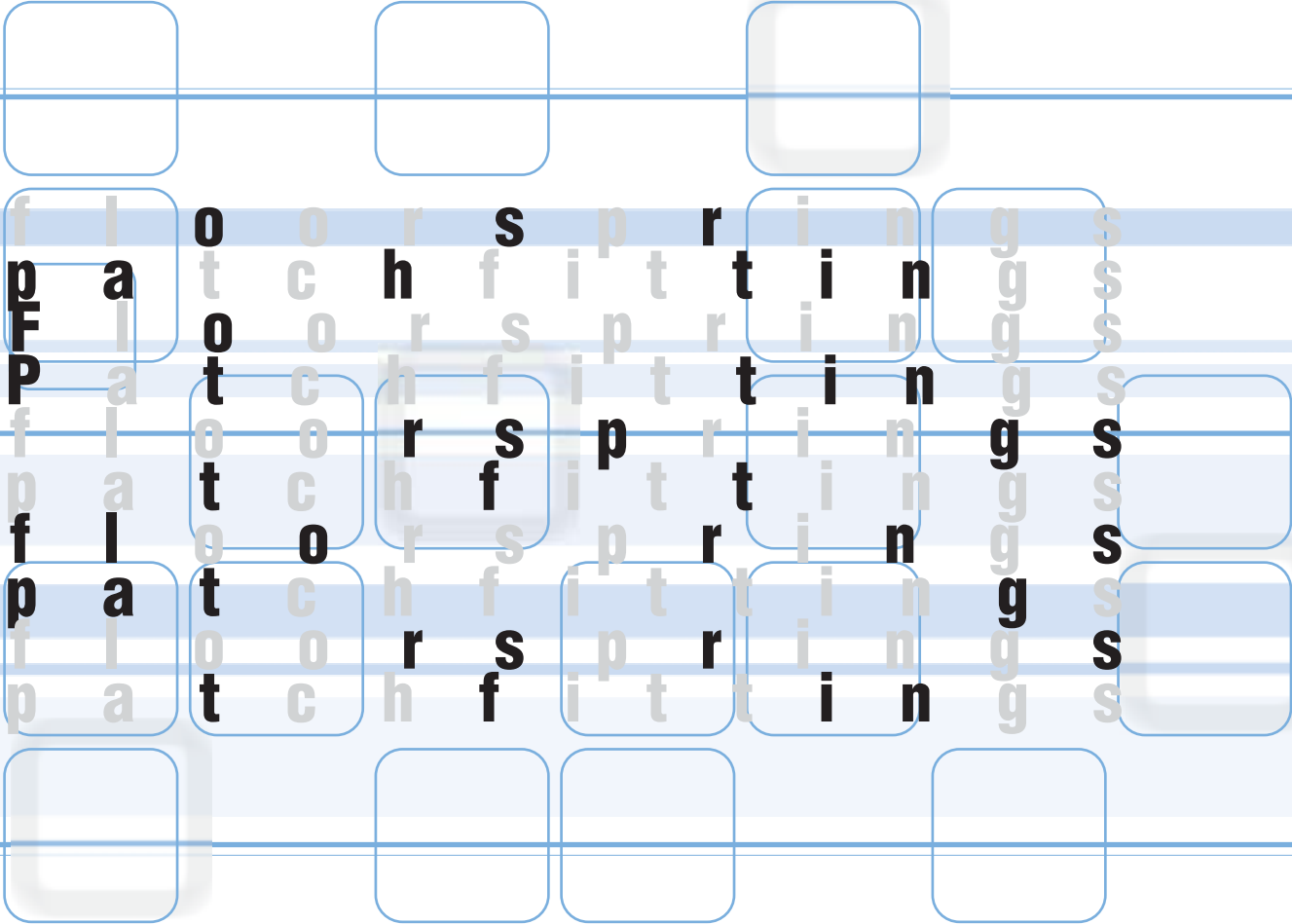
	L	H	Y	R
SS-321	60	55	16	30

**Clamps used in an aggressive environment may discolour. A lacquered finish is recommended.**

**CONTACT: ALLAN MURRAY OR JIM KIRWIN**

sales: 0161 643 3399 - fax: 0161 643 2299 - email: [ahdltd@btconnect.com](mailto:ahdltd@btconnect.com)





**A.H.D.** Unit G1, Brookside Business Park  
Greengate, Middleton, Manchester M24 1GS  
tel. 0161 643 3399 - fax 0161 643 2299  
**web site:** [www.ahdltd.com](http://www.ahdltd.com)  
**e-mail:** [ahdltd@btconnect.com](mailto:ahdltd@btconnect.com)